

ENVIRONMENTAL PRODUCT DECLARATION

TARAFLEX COLLECTION

VINYL SPORT FLOORING



Gerflor®

Our mission at Gerflor: make our customers and users' lives easier with sustainable innovative, healthy, and less impactful products.

When it comes to sustainability, we set ourselves to the highest standards. As part of this commitment, Gerflor has decided to take a leadership position with a goal of publishing a third-party independently verified EPD for each of its product ranges

This EPD covers Taraflex collection, sports resilient flooring, available in rolls, that can be used for indoor sports and leisure activities.

- Taraflex collection has an exclusive and patented Triple Action ProtecSol surface treatment which allows easy maintenance and avoids any skin burn.
- Taraflex are 100% recyclable and made with bio content, mineral and recycled content.
- They are REACH and Floorscore compliant.
- According to ISO 22196 and ISO 21702, they have, respectively, anti-bacterial activity against MRSA of 99% after 24h and anti-viral activity against human coronavirus 229E of 99.7% after 2h.
- The products emission rate of volatile organic compounds are < 100 µg/m³ (TVOC after 28 days – ISO 16000 -6).

Since 2011, Gerflor offers an innovative program in select countries for collecting installation waste and end-of-life products. Once collected, those products are sent to a recycling center.

The recycle is then reintegrated in Gerflor factories into new products, to close the circularity loop.



ENVIRONMENTAL PRODUCT DECLARATION

Gerflor TARAFLEX COLLECTION

According to ISO 14025
and EN 15804



EPD PROGRAM AND PROGRAM OPERATOR NAME, ADDRESS, LOGO, AND WEBSITE	UL Solutions 333 Pfingsten Road, Northbrook, IL 60611	https://www.ul.com/ https://spot.ul.com
GENERAL PROGRAM INSTRUCTIONS AND VERSION NUMBER	General Program Instructions v.2.7 March 2022	
MANUFACTURER NAME AND ADDRESS	GERFLOR 1 Place Verrazzano, CS 20458, 69258 Lyon CEDEX 09	
DECLARATION NUMBER	4790579418.104.1	
DECLARED PRODUCT & FUNCTIONAL UNIT OR DECLARED UNIT	TARAFLEX COLLECTION The functional unit is one square meter of installed product. The reference service life considered is 25 years.	
REFERENCE PCR AND VERSION NUMBER	PCR - Part A: Life Cycle Assessment Calculation Rules and Report Requirements. Version 4.0, UL Environment. PCR - Part B: Flooring EPD Requirements, Second Edition, Dated September 28, 2018, UL Environment.	
DESCRIPTION OF PRODUCT APPLICATION/USE	The products are classified in accordance with EN 14904 to suit most indoor sports and all types of players. It is classified in accordance with EN ISO 10874 and in reference to the FCSS (Floor Covering Standard Symbols).	
PRODUCT RSL DESCRIPTION (IF APPL.)	The product service life recommended is 25 years. According to UL PCR, the building Estimated Service Life (ESL) is 75 years. For this duration, two replacements are required Environmental impacts are calculated for two different Service Life assumptions: 1 year and 75 years.	
MARKETS OF APPLICABILITY	European Commercial market	
DATE OF ISSUE	August 9, 2024	
PERIOD OF VALIDITY	5 years	
EPD TYPE	Product-specific	
VARIABILITY OF REPORTED DATA	product(s) is considered in this EPD.	
EPD SCOPE	Cradle to Grave	
YEAR(S) OF REPORTED PRIMARY DATA	2022	
LCA SOFTWARE & VERSION NUMBER	Simapro 9	
LCI DATABASE(S) & VERSION NUMBER	Ecoinvent 3.8 – allocation cut-off by classification	
LCIA METHODOLOGY & VERSION NUMBER	Method EN 15804 A2 EPD Ev-DEC 1.11 (EVEA)	

The PCR review was conducted by:	UL Solutions
	PCR Review Panel
	epd@ul.com
This declaration was independently verified in accordance with ISO 14025: 2006. <input type="checkbox"/> INTERNAL <input checked="" type="checkbox"/> EXTERNAL	<i>Cooper McCollum</i> Cooper McCollum, UL Solutions
	<i>Cara M Vought</i> Cara Vought, Sustainable Solutions Corporation

This life cycle assessment was conducted in accordance with ISO 14044 and the reference PCR by:

LIMITATIONS
Exclusions: EPDs do not indicate that any environmental or social performance benchmarks are met, and there may be impacts that they do not encompass. LCAs do not typically address the site-specific environmental impacts of raw material extraction, nor are they meant to assess human health toxicity. EPDs can complement but cannot replace tools and certifications that are designed to address these impacts and/or set performance thresholds – e.g. Type 1 certifications, health assessments and declarations, environmental impact assessments, etc.

Accuracy of Results: EPDs regularly rely on estimations of impacts; the level of accuracy in estimation of effect differs for any particular product line and reported impact.

Comparability: EPDs from different programs may not be comparable. Comparison of the environmental performance of flooring products using EPD information shall be based on the product’s use and impacts at the building level, and therefore EPDs may not be used for comparability purposes when not considering the building energy use phase as instructed under this PCR. Full conformance with the PCR for “Building-Related Products and Services” allows EPD comparability only when all stages of a life cycle have been considered, when they comply with all referenced standards, use the same sub-category PCR, and use equivalent scenarios with respect to construction works. However, variations and deviations are possible. Example of variations: Different LCA software and background LCI datasets may lead to differences results for upstream or downstream of the life cycle stages declared.



TABLE OF CONTENTS

- 1. Product Definition and Information 5
 - 1.1. Company Description and production site information 5
 - 1.2. Product Description 5
 - 1.3. Technical Specifications 8
 - 1.4. Product Certifications 8
 - 1.5. Product Classifications 8
- 2. Life Cycle Assessment General Information 9
 - 2.1. Methodological Framework 9
 - 2.2. Declared Unit 10
 - 2.3. System Boundary 10
 - 2.4. Estimates and Assumptions 11
 - 2.5. Cut-off Criteria 11
 - 2.6. Data Sources 11
 - 2.7. Data Quality 11
 - 2.8. Period under Review 11
 - 2.9. Allocation 11
 - 2.10. Comparability (Optional) 12
- 3. Life Cycle Assessment Background Information & Scenarios 13
 - 3.1. Material Composition & packaging (A1) 13
 - 3.2. Manufacturing (A3) 13
 - 3.3. Delivery (transport from the factory to the building site) (A4) 14
 - 3.4. Installation (A5) 15
 - 3.5. Use - Reference Service Life and Building Estimated Service Life (B2) 16
 - 3.6. Use – Cleaning (B2) 16
 - 3.7. Repair, replacement, refurbishment, reuse (B3-B5) 17
 - 3.8. Operational energy use (B6) and Operational water use (B7) 17
 - 3.9. Deconstruction (C1) 17
 - 3.10. Transport (C2) and end-of-life (C3-C4) 17
 - 3.11. Benefits and loads beyond system boundary (D) 18
- 4. Life Cycle Assessment Results for Europe 19
 - 4.1. Summary of key GWP results 19
 - 4.2. Life Cycle Assessment – Environmental impacts 20
 - 4.2.1. Environmental impacts for 1 year 20
 - 4.2.1.1. Potential environmental impact in case of RECYCLING at end of use 20

ENVIRONMENTAL PRODUCT DECLARATION

Gerflor TARAFLEX COLLECTION

According to ISO 14025
and EN 15804



4.2.1.2. Potential environmental impact in case of LANDFILL at end of use.....	21
4.2.1.3. Potential environmental impact in case of INCINERATION at end of use	22
4.2.2. Environmental impacts for 75 years	23
4.2.2.1. Potential environmental impact in case of RECYCLING at end of use	23
4.2.2.2. Potential environmental impact in case of LANDFILL at end of use.....	24
4.2.2.3. Potential environmental impact in case of INCINERATION at end of use	25
4.3. Life Cycle Assessment – Resources, wastes categories and outgoing flows	26
4.3.1. Resources, wastes categories and outgoing flows for 1 year	26
4.3.1.1. Resources, waste categories and outgoing flows in case of RECYCLING at end of use.....	26
4.3.1.2. Resources, waste categories and outgoing flows in case of LANDFILL at end of use.....	27
4.3.1.3. Resources, waste categories and outgoing flows in case of INCINERATION at end of use	28
4.3.2. Resources, waste categories and outgoing flows for 75 years	29
4.3.2.1. Resources, waste categories and outgoing flows in case of RECYCLING at end of use.....	29
4.3.2.2. Resources, waste categories and outgoing flows in case of LANDFILL at end of use.....	30
4.3.2.3. Resources, waste categories and outgoing flows in case of INCINERATION at end of use	31
5. Life Cycle Assessment – Carbon emissions and removals	32
6. LCA Interpretation	32
7. Additional Environmental Information.....	33
7.1. Environment and Health During Manufacturing	33
7.2. Environment and Health During Installation	33
7.3. Environment and Health During the use stage.....	33
8. Further Information	33
9. References	33

1. Product Definition and Information

1.1. Company Description and production site information

The products are commercialized by Gerflor.

For over 80 years, the Gerflor Group has been developing, manufacturing and selling innovative, decorative and eco-responsible solutions. Its product portfolio encompasses flexible floors, wall protection and finishes. Gerflor supports professionals and individuals every day in every phase of their project, from product selection to end-of-life management and recycling solutions. As a European manufacturer, the Group employs more than 5000 people and distributes its products and services in over 100 countries.

Gerflor solutions can be found in Education, Healthcare, Retail, Sports, Hospitality, Industry, Offices, Transport, Public buildings and Housing.

Faced with the climate emergency and the scarcity of raw materials, the Group's ambition is now more than ever to reconcile sustainable and profitable growth with resolute and innovative approaches to reduce our environmental impact.

1.2. Product Description

This environmental product declaration covers Taraflex flooring collection :

- **Taraflex Evolution** (solid colors and wood)
- **My Taraflex Evolution**
- **Taraflex Surface** (solid colors and wood)
- **My Taraflex Surface**
- **Taraflex Performance** (solid colors and wood)
- **My Taraflex Performance**
- **Taraflex Multi-use** (solid colors and wood)
- **My Taraflex multi-use**
- **Taraflex evolution DTX** (solid colors and wood)
- **My Taraflex evolution DTX**
- **Taraflex performance DTX** (solid colors and wood)
- **Taraflex Comfort** (solid colors and wood)
- **Taraflex Evolution SL** (solid colors and wood)
- **Taraflex Performance SL** (solid colors and wood)

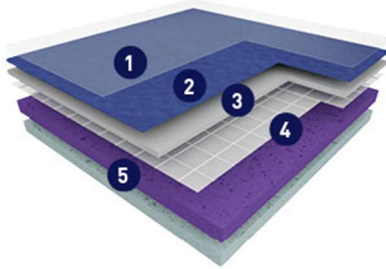
NB : for some of the references mentioned above, only the decors change, product structure is the same.

The products are heterogeneous calendared vinyl floor coverings, embossed, available in 1.5m wide sheet and the rolls are cut at the desired dimensions, for glued or adhesive-free installation.

The product comprises a UV cured polyurethane surface treatment PROTECSOL, ensuring easy maintenance and the right balance between slide and grip. It has a foam backing and a surface complex reinforced with a fiber-glass grid for a better dimensional stability and a better indentation resistance. It is composed of inlaid colors or of printed designs encapsulated by a transparent wear layer.

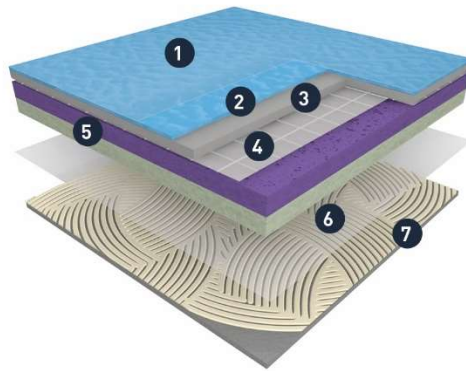
The following figures show Taraflex Collection product constructions :

Figure 1: Taraflex Evolution



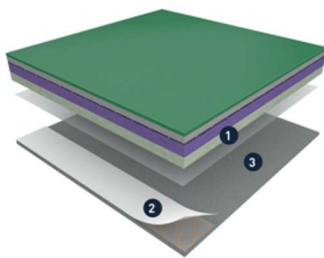
- 1 Triple Action ProtecSol® surface treatment
- 2 Embossed calendared surface layer
- 3 Recycled calendared surface backing
- 4 D-MAX
- 5 CXP-HD

Figure 2: Taraflex Evolution dry-tex



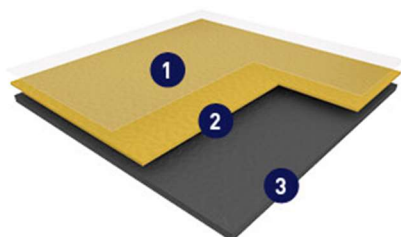
- 1. Triple Action ProtecSol surface treatment
- 2. Embossed calendared surface layer
- 3. Recycled calendared surface backing
- 4. D-MAX
- 5. CXP-HD
- 6. Unique textile backing
- 7. Gerpur glue

Figure 3: Taraflex Evolution SL



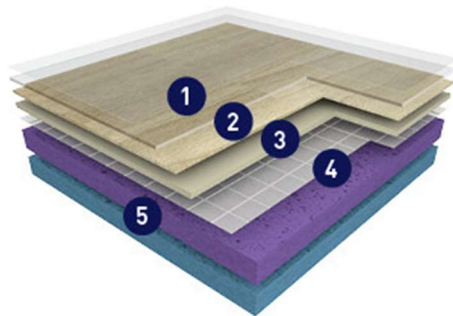
- 1 Taraflex® Evolution with reinforced textile backing
- 2 Tarafix SL high-quality holding strip
- 3 Concrete slab

Figure 4: Taraflex Surface



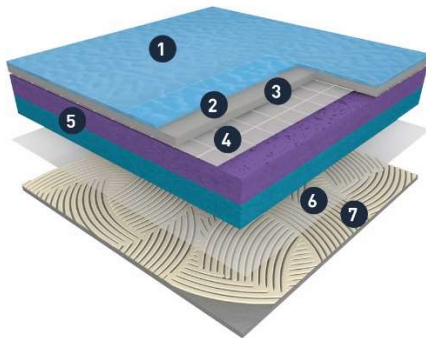
- 1 Triple Action ProtecSol® surface treatment
- 2 Embossed calendared surface layer
- 3 Recycled calendared surface backing

Figure 5 : Taraflex Performance



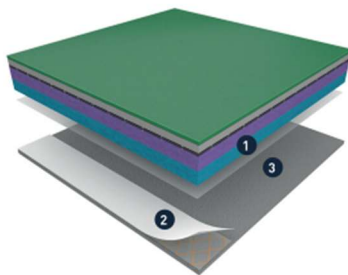
- 1 - Triple Action ProtecSol
- 2 - D-Max
- 3 - CXP HD
- 4 - Sanosol

Figure 6: Taraflex Performance dry-tex



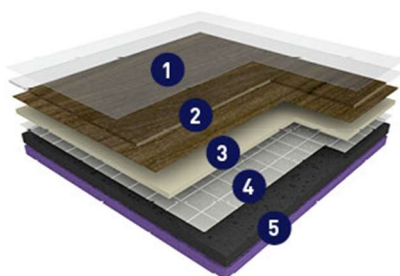
1. Triple Action ProtecSol surface treatment
2. Embossed calendared surface layer
3. Recycled calendared surface backing
4. D-MAX
5. CXP-HD
6. Unique textile backing
7. Gerpur glue

Figure 7: Taraflex Performance SL



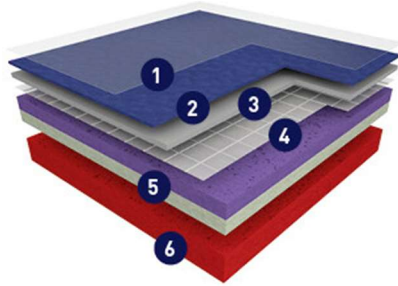
- 1 Taraflex® Performance with reinforced textile backing
- 2 Tarafix SL high-quality holding strip
- 3 Concrete slab

Figure 8: Taraflex Multi-use



- 1 Triple Action ProtecSol® surface treatment
- 2 Design Film
- 3 Recycled calendared surface backing
- 4 D-MAX
- 5 CXP-HD+ double-density foam

Figure 9: Taraflex Comfort



- 1 Triple Action ProtecSol® surface treatment
- 2 Embossed calendared surface layer
- 3 Recycled calendared surface backing
- 4 D-MAX
- 5 CXP-HD
- 6 Polyolefin foam

1.3. Technical Specifications

The product considered in this EPD meets or exceeds all technical requirements in EN 14904 Surfaces for sports areas - Indoor surfaces for multi-sports use – Specification.

The average product declared in this EPD meets the following technical specifications:

Name	Value	Unit
Product thickness	7.13	mm
Product Weight	4.65	kg/m ²
Density	653	kg/m ³
Length	26.5	lm
Width	1.5	lm

1.4. Product Certifications

The products declared in this document complies with the following codes or regulations:

Specification Fire Testing:

- Class 1 when tested in accordance with ASTM E 648, Standard Test Method for Critical Radiant Flux
- Class 1 when tested in accordance with ASTM E 662, Standard Test Method for Specific Optical Density of Smoke Generated by Solid Materials

The products also possess the following characteristics:

- EN 13501-1 Fire Behavior
- Slip Resistance R10
- Floorscore certified

1.5. Product Classifications

The products are classified in accordance with EN 14904 to be suit most indoor sports and all types of players.

The products are classified according to the United Nations Standard Products and Service Code (UNSPSC) as « Vinyl Flooring »: UNSPSC Code 30161707. And according to Construction Specification Institute (CSI) as « Resilient flooring »: CSI Code 09 65 00.

2. Life Cycle Assessment General Information

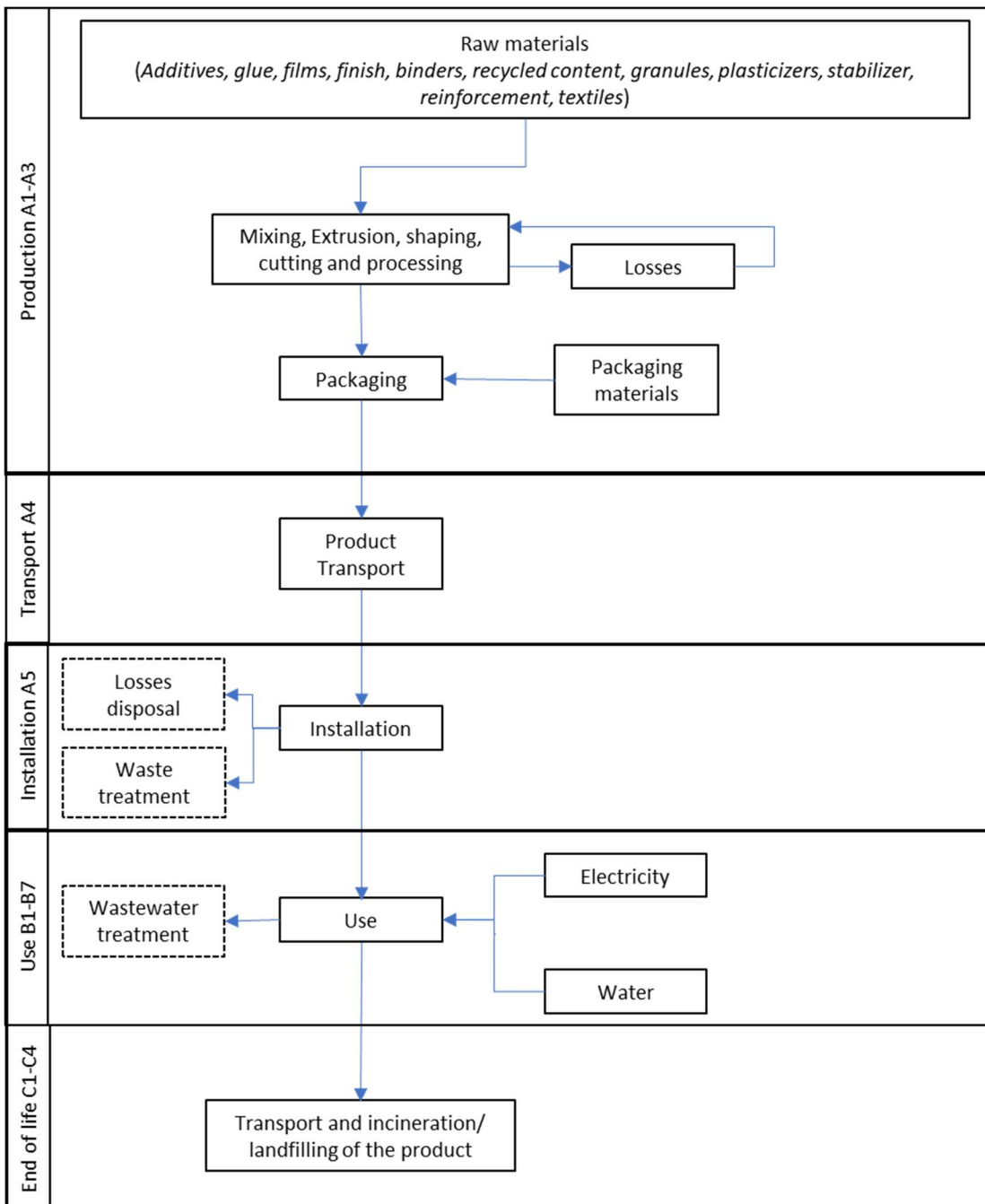
2.1. Methodological Framework

A full Life Cycle Assessment has been performed according to ISO 14040, ISO 14044 and in compliance with EN15804.

This EPD covers the entire life cycle of the products from cradle to grave (modules A1 to D) excluding modules for which there are no inputs/outputs.

No known flows are deliberately excluded from this EPD. For these products, the stated Reference Service Life (RSL) is 25 years (see section 3.5).

Flow Diagram:



2.2. Declared Unit

The functional unit is one square meter of installed product. The reference service life considered is 25 years.

	Value	Unit
Functional Unit	1	m ²
Mass	4.65	kg/m ²

Description of declared unit :

Cover 1 m² of interior flooring with a vinyl floor covering product, with a surface mass of 4.65 kg/m², implemented according to the rule book, and contribute to the decoration and comfort of premises for a lifespan of 25 years, ensuring the performance described in European standards EN 14904.

The products are suitable for installation for various indoor sports.

2.3. System Boundary

EPD is declared from cradle to grave, including the following stages:

A1 – A3: includes the provision of all raw materials and their packaging, transport to the production site and energy consumption during the manufacturing of the product, as well as processing of waste generated by the factory.

A4 – A5: includes the transport from the factory to the final customer, packaging of the final product and the installation of the product, as well as all consumables and energy required, and processing of waste generated during the installation.

B1 – B7: includes provision and transport of all materials, products and services related to the use phase of the product, as well as their related energy and water consumption, and the processing of any resulting waste.

C1 – C4: includes provision and transport of all materials, products and services related to the end-of-life phase of the product, including energy and water consumption, as well as the end-of-life processing of the product.

D: includes benefits coming from the wastes' end of life.

Scope of study: modules with no "X" in the table below have been considered but have no associated inputs/outputs, therefore do not appear in the results:

	Production Stage			Construction Process Stage		Use Stage							End-of-Life Stage				Benefits& loads beyond syst. Bound.
	Raw material supply	Transport to manufacturer	Manufacturing	Transport from gate to site	Assembly/Install	Use	Maintenance	Repair	Replacement	Refurbishment	Operational energy use during product use	Operational water use during product use	Deconstruction	Transport	Waste processing	Disposal	Reuse, recovery or recycling potential
Modules	A1	A2	A3	A4	A5	B1	B2	B3	B4	B5	B6	B7	C1	C2	C3	C4	D
Accounted for:	X	X	X	X	X	X*	X	X*	X	X*	X*	X*	X	X	X*	X	X

*module has been considered but has no associated inputs/outputs, therefore does not appear in the results.

2.4. Estimates and Assumptions

Estimates and assumptions are made for transport, installation, and deconstruction procedure. Details are provided in section 3.

2.5. Cut-off Criteria

The cut-off criteria shall be 1% of renewable and non-renewable primary energy usage and 1% of the total mass of that unit process. The total neglected input flows per module shall be a maximum of 5% of energy usage and mass. For this study, all input and output flows have been considered. Raw materials are included as per the product composition provided by the manufacturer and the packaging of the final product. Energy and water consumptions have also been considered at 100% according to the data provided.

2.6. Data Sources

As a general rule, specific data derived from specific production processes or average data derived from specific production processes have been used as the first choice as a basis for calculating an EPD. To model the life cycle of the product in question, the software SimaPro 9, developed by PRé, has been used in conjunction with the LCA database ecoinvent v3.8.

2.7. Data Quality

The requirements for data quality and LCA data are in accordance with the specifications of the PCR.

Temporal Coverage : producer specific data is averaged over 1 year of production and from within the last 5 years (2022). Generic data is taken from the ecoinvent 3.8 database, the entirety of which was updated in 2021. Inputs and outputs from the system are accounted for over a period of 100 years from the year for which the data set is deemed relevant.

Technological Coverage : the technological coverage of the data reflects the physical reality of the declared product.

Geographical Coverage : whenever possible, country specific data reflecting the reality of the Gerflor supply chain has been used. If country specific data is unavailable, European regional data is used in preference to global data sources.

A third party verified ISO 14040/44 secondary LCI data sets contribute more than 67% of total impact (either at the unit process level or in aggregate) to any of the required impact categories identified by the applicable PCR.

2.8. Period under Review

Data have been reviewed for the production year 2022.

2.9. Allocation

Allocations when using secondary materials as raw materials:

The recycled content comes from external sources (offcuts from installation and removal of old coatings), the end-of-waste status is considered at the level of the sorted material stock and no impact is assigned to the production of these offcuts.

Allocations in the plant (differentiation from other products manufactured in the plant):

The overall values for the factory's material and energy consumptions during a period of one year have been divided

by the annual production of each product to supply a value per square meter of flooring produced. All factory data is measured in square meters, and it is assumed that the process consumptions are governed by area of flooring processed rather than mass.

Allocation of multi-input processes if performed during modelling:

Production offcuts: the scraps are components reintegrated into other products on other process lines. Since these scraps are not sold externally, a physical allocation is made between the main product and the scraps. Thus, the overproduction to produce these losses is not considered in this case. The impacts of the production of these scraps are assigned to the system that uses them (other Gerflor products), so no impact is omitted.

Allocations of reuse, recycling and energy recovery:

Not relevant here.

2.10. Comparability (Optional)

Basically, a comparison or an evaluation of EPD data is only possible if all the data sets to be compared were created according to /EN 15804/ and the building context, respectively the product-specific characteristics of performance, are taken into account.



3. Life Cycle Assessment Background Information & Scenarios

3.1. Material Composition & packaging (A1)

Product:

Component	Mass (%)	Mass (kg/m ²)
PVC	30-35%	1.4 - 1.65
Bio plasticizer	15-20%	0.7 – 0.93
Other plasticizers	<1%	<0.05
Mineral filler	10-15%	0.47 – 0.7
Stabilizer	<1%	<0.05
Additive	<2%	<0.09
Decor	<2%	<0.09
Reinforcement	<2%	<0.09
Glue	<1%	<0.05
Varnish	<1%	<0.05
Foam	<1%	<0.05
Recycled content*	27.62%	1.28
Packaging	5-10%	0.23 – 0.47

*Recycled content is post-consumer waste.

Packaging:

Each roll is wound around a cardboard tube, protected by two cardboard discs, then wrapped in paper. The rolls are stored upright on a wooden pallet protected by a plastic cover and foam strips between rolls.

As described in ULE Part A Requirements, the packaging waste scenario for European market is:

- 76.4% recycling, 16.4% landfilling and 7.2% incineration for cardboard
- 24.8% recycling, 54.8% landfilling and 20.4% incineration for wood
- 37% recycling, 35% landfilling and 28% incineration for plastic

3.2. Manufacturing (A3)

Taraflex Collection is made in the Gerflor manufacturing plant in Tarare, in France.

The following figures show the production process diagram :

Figure 10: Coating process

Conversion of a liquid paste into a compact layer or foam.

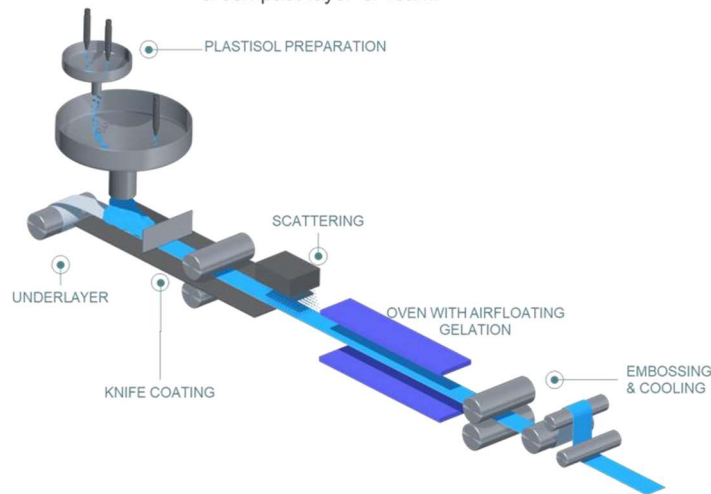
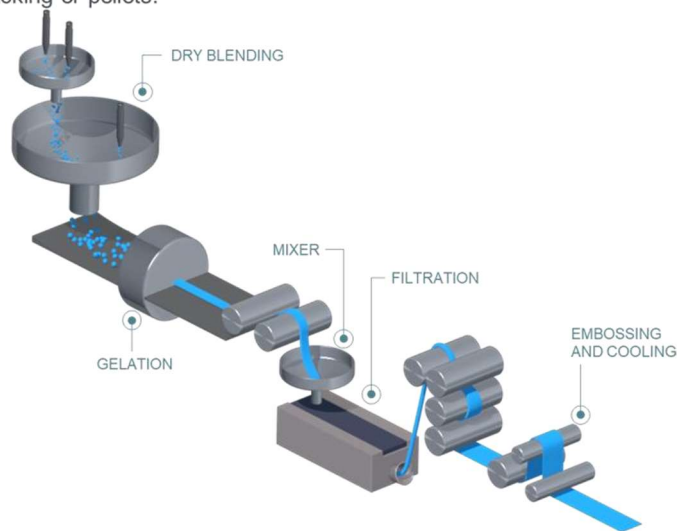


Figure 11: Calendering process

Production of sheets or films for surfaces, interlayers, backing or pellets.



3.3. Delivery (transport from the factory to the building site) (A4)

The products are made in France and sent to the European market. Distances taken in account are described below.

Truck	VALUE	UNIT
Fuel type	Diesel, low sulfur	
Liters of fuel	26	l/100km
Vehicle type	16-32 metric ton EURO 6	
Transport distance	1315	km
Capacity utilization (including empty runs, mass based)	36	%

Gross density of products transported	653	kg/m ³
Weight of products transported (if gross density not reported)	-	kg
Volume of products transported (if gross density not reported)	-	m ³
Capacity utilization volume factor (factor: =1 or <1 or ≥ 1 for compressed or nested packaging products)	<1	-
Boat		
Fuel type	Heavy Fuel Oil	
Liters of fuel	0.047	l/100km
Vehicle type	Transoceanic Ship	
Transport distance	181	km
Capacity utilization (including empty runs, mass based)	100	%
Gross density of products transported	653	kg/m ³
Weight of products transported (if gross density not reported)	-	kg
Volume of products transported (if gross density not reported)	-	m ³
Capacity utilization volume factor (factor: =1 or <1 or ≥ 1 for compressed or nested packaging products)	<1	-

3.4. Installation (A5)

The products are installed by hand, in glued installation or in semi-free installation depending on the references. For the average product declared, a glued installation was considered.

During the installation, approximately 3% of the product is lost as off-cuts ; this waste is mainly sent to landfill. Gerflor recommends using Gerflor Second Life program to recycle the off-cuts, where infrastructure exists. This program is available in several countries. It is a simple and free collection system for installation waste and end of life products. The waste is first sent to a dedicated recycling center. After recycling, it is reintroduced in new Gerflor products in substitution of virgin materials.

Installation into the building (A5) - Scenario	VALUE	UNIT
Ancillary materials		
- Acrylic glue	0.247	kg/m ²
Net freshwater consumption specified by water source and fate (amount evaporated, amount disposed to sewer)	-	m ³
Other resources	-	kg
Electricity consumption	-	kWh
Other energy carriers	-	MJ
Product loss per functional unit	0,14	kg
Waste materials at the construction site before waste processing, generated by product installation	0.3857	kg
Output materials resulting from on-site waste processing (specified by route; e.g. for recycling, energy recovery and/or disposal)	-	kg
Biogenic carbon contained in packaging	0.1419	kg CO ₂
Direct emissions to ambient air, soil and water	-	kg
VOC emissions	-	kg/m ²

3.5. Use - Reference Service Life and Building Estimated Service Life (B2)

Service Life	VALUE	UNIT
Product Reference Service Life (RSL)	25	years
Building estimated Service Life (ESL)	75	years

It should be noted that the service life may vary depending the amount and nature of floor traffic and the type and frequency of maintenance. The manufacturer has provided this service life based on his experience of flooring manufacture and supply. This RSL is applicable as long as the product use complies with EN 14904 in accordance with the product’s classification.

Declared product properties (at the gate) and finishes, etc.	Declared product properties are described in Declaration of Performance (DOP), in accordance with EN 14904
Design application parameters (if instructed by the manufacturer), including references to the appropriate practices and application codes)	Products in accordance with EN 14904 and technical prescription of the manufacturer
An assumed quality of work, when installed in accordance with the manufacturer’s instructions	Assumed to be installed according to the manufacturer’s instructions
Outdoor environment, (if relevant for outdoor applications), e.g. weathering, pollutants, UV and wind exposure, building orientation, shading, temperature	Not relevant
Indoor environment, (if relevant for indoor applications), e.g. temperature, moisture, chemical exposure)	Use conditions in accordance with manufacturer prescriptions: see technical datasheet
Use conditions, e.g. frequency of use, mechanical exposure.	Use conditions in accordance with manufacturer prescriptions : see technical datasheet
Maintenance, e.g. required frequency, type and quality of replacement components	Maintenance scenario is defined in the table above

3.6. Use – Cleaning (B2)

Maintenance (B2) - Scenario	VALUE	UNIT
Maintenance process information (cite source in report)	Cleaning with scrubber dryer: 1/week	-
Maintenance cycle	1300	Number/ RSL
Maintenance cycle	3900	Number/ ESL
Net freshwater consumption specified by water source and fate (amount evaporated, amount disposed to sewer)	1.4	L/year
Other resources	-	kg
Energy input, specified by activity, type and amount	0.046	kWh/year
Other energy carriers specified by type	-	kWh
Power output of equipment	-	kW
Waste materials from maintenance (specify materials)	-	kg
Direct emissions to ambient air, soil and water	-	kg
Further assumptions for scenario development (e.g. frequency and time period of use, number of occupants);	-	

3.7. Repair, replacement, refurbishment, reuse (B3-B5)

Repair (B3): no data

Replacement (B4): product's life expectancy being 25 years and building's life expectancy being 75 years, 2 product replacements will be necessary. The impact of these replacements can be found in indicator B4 "Replacement". B2 "Maintenance" is also proportional to the number of years considered.

Replacement (B4) – Scenario	VALUE	UNIT
Reference Service Life	25	Years
Number of replacements over building estimated service life (75 years)	2	(ESL-RSL)-1
Energy input, specified by activity, type and amount	-	kWh
Net freshwater consumption specified by water source and fate (e.g., X m3 river water evaporated, X m3 city water disposed to sewer)	-	m3
Ancillary materials specified by type and amount:	-	Kg/m ²
- Acrylic glue	0.494	
Replacement of worn parts, specify parts/materials	-	kg
Direct emissions to ambient air, soil and water	-	kg
Further assumptions for scenario development, e.g. frequency and time period of use_	-	As appropriate

Refurbishment (B5) : no data.

3.8. Operational energy use (B6) and Operational water use (B7)

No data.

3.9. Deconstruction (C1)

Product deconstruction is carried out manually.

3.10. Transport (C2) and end-of-life (C3-C4)

Gerflor recommends using Gerflor Second Life program to recycle the products, where infrastructure exists. This program is available in several countries.

It is a simple and free collection system for installation waste and end of life products. The waste is first sent to a dedicated recycling center. After recycling, it is reintroduced in new Gerflor products in substitution of virgin materials.

When recycling is not an option, landfill and incineration are the other options.

3 end-of-life scenarios are therefore proposed in this EPD to address the different cases: recycling, landfill, or incineration.

According to the PCR UL Part A, 50% of the products should be recycled for Europe. There is no specific data for this distance for European market, so the North America's one, in PCR UL Part B, is assumed by default.

COLLECTION PROCESS		VALUE	UNIT
Collection process	Collected with mixed construction waste - Product	4.65	kg
	Collected with mixed construction waste - Glue	0.247	kg
RECYCLING SCENARIO		VALUE	UNIT
Distance to recycling center		161	km
Truck		16-32 metric ton Euro6	-
Recovery			
- Product:		4.65	kg
- Glue:		0.247	
Disposal		-	
LANDFILL SCENARIO		VALUE	UNIT
Distance to landfill		161	km
Truck		16-32 metric ton Euro6	-
Recovery			
- Product:		4.65	kg
- Glue:		0.247	
Disposal		-	
INCINERATION SCENARIO		VALUE	UNIT
Distance to incineration center		161	km
Truck		16-32 metric ton Euro6	-
Recovery			
- Product:		4.65	kg
- Glue:		0.247	
Disposal		-	
BIOGENIC CARBON		VALUE	UNIT
Removals of biogenic carbon (excluding packaging)		0.3403	kg CO ₂

3.11. Benefits and loads beyond system boundary (D)

Reuse, recovery and/or recycling potentials (D) - scenarios	VALUE for recycling scenario	VALUE for landfill scenario	VALUE for incineration scenario	UNIT
Net energy benefit from energy recovery from waste treatment declared as exported energy in C3 (R>0.6)	-	-	-	MJ
Net energy benefit from thermal and electrical energy due to treatment of waste declared as exported energy in C4 (R<0.6)	-	-	3.49E+1	MJ
Net energy benefit from material flow declared in C3 for energy recovery	-	-	-	MJ
Process and conversion efficiencies	-	-	-	
Further assumptions for scenario development (e.g. further processing technologies, assumptions on correction factors);	-	-	-	

4. Life Cycle Assessment Results for Europe

The following results are given for a service life of 1 year and 75 years.

75 years results include 2 replacements based on a product reference service life of 25 years.

LCA results are relative expressions and do not predict impacts on category endpoints, the exceeding of thresholds, safety margins or risks. All results should be used with caution because the uncertainties in the results are high.

Gerflor recommends using Gerflor Second Life program or any other program to recycle the products, where infrastructure exists. This program is available in several countries.

It is a simple and free collection system for installation waste and end of life products. The waste is first sent to a dedicated recycling center. After recycling, it is reintroduced in new Gerflor products in substitution of virgin materials. When recycling is not an option, landfill and incineration are the other options.

3 end-of-life scenarios are therefore proposed in this EPD to address the different cases: recycling (1), landfill (2), or incineration (3).

Results only vary in C phase.

4.1. Summary of key GWP results

For convenience, here is a summary of the key GWP results:

GLOBAL WARMING POTENTIAL (GWP) kg CO2 eq./m ²	Total GWP, with recycling scenario	Total GWP, with landfill scenario	Total GWP, with incineration scenario
Use 1 year	9.83E+0	1.01E+1	1.87E+1
Use 25 years	1.03E+01	1.06E+01	1.92E+01
Use 75 years	3.09E+1	3.18E+1	5.75E+1

4.2. Life Cycle Assessment – Environmental impacts

4.2.1. Environmental impacts for 1 year

4.2.1.1. Potential environmental impact in case of RECYCLING at end of use

POTENTIAL ENVIRONMENTAL IMPACT - RECYCLING - 1 YEAR - per m ²										
Impacts CML v4.3	Units	Total	Production	Construction		Use	End-of-life			D Benefits & load beyond system boundaries
			A1 – A3 Total Production	A4 Transport	A5 Installation	B2 Maintenance (1 year)	C2 Transport	C3 Waste processing	C4 Disposal	
Climate change - GWP total	kg CO ₂ eq	9.83E+0	5.72E+0	1.08E+0	1.65E+0	1.89E-2	1.28E-1	1.24E+0	0.00E+0	-3.05E+0
Climate change - GWP fossil	kg CO ₂ eq	9.37E+0	7.21E+0	1.08E+0	8.97E-1	1.87E-2	1.27E-1	3.93E-2	0.00E+0	-3.13E+0
Climate change - GWP biogenic	kg CO ₂ eq	4.15E-1	-1.53E+0	3.40E-4	7.47E-1	1.13E-4	4.03E-5	1.20E+0	0.00E+0	7.92E-2
Climate change -GWP land use and change	kg CO ₂ eq	4.30E-2	4.06E-2	4.43E-4	1.74E-3	4.41E-5	5.20E-5	9.14E-5	0.00E+0	-1.29E-3
Ozone depletion	kg CFC11 eq	3.56E-6	3.10E-6	2.52E-7	1.71E-7	9.80E-10	2.98E-8	2.00E-9	0.00E+0	-1.10E-6
Acidification	mol H ⁺ eq	4.63E-2	3.26E-2	3.34E-3	9.68E-3	1.12E-4	3.65E-4	2.12E-4	0.00E+0	-1.75E-2
Eutrophication, freshwater (P)	kg P eq	3.72E-4	3.20E-4	7.72E-6	3.60E-5	3.26E-6	9.16E-7	4.12E-6	0.00E+0	-4.27E-5
Eutrophication, freshwater (PO ₄)	kg PO ₄ eq	1.14E-3	9.83E-4	2.37E-5	1.11E-4	1.00E-5	2.81E-6	1.27E-5	0.00E+0	-1.31E-4
Eutrophication, marine	kg N eq	9.64E-3	7.89E-3	6.77E-4	9.31E-4	4.19E-5	7.25E-5	2.88E-5	0.00E+0	-2.34E-3
Eutrophication, terrestrial	mol N eq	8.51E-2	6.79E-2	7.55E-3	8.36E-3	1.75E-4	8.08E-4	3.30E-4	0.00E+0	-2.63E-2
Photochemical ozone formation	kg NMVOC eq	2.79E-2	2.15E-2	2.80E-3	3.10E-3	4.53E-5	3.10E-4	9.27E-5	0.00E+0	-1.55E-2
Resource use, minerals and metals	kg Sb eq	1.74E-4	1.56E-4	3.93E-6	1.40E-5	1.81E-7	4.67E-7	1.11E-7	0.00E+0	-6.50E-5
Resource use, fossils	MJ	2.00E+2	1.65E+2	1.65E+1	1.55E+1	3.97E-1	1.95E+0	8.29E-1	0.00E+0	-1.10E+2
Water use	m ³ depriv.	9.28E+0	8.32E+0	4.91E-2	8.89E-1	1.10E-2	5.83E-3	9.48E-3	0.00E+0	-2.81E+0
Particulate matter	disease inc.	4.56E-7	3.03E-7	8.71E-8	5.43E-8	4.13E-10	1.03E-8	6.93E-10	0.00E+0	-1.38E-7
Ionising radiation	kBq U-235 eq	6.73E-1	5.28E-1	7.15E-2	5.42E-2	3.53E-3	8.46E-3	7.33E-3	0.00E+0	1.91E-2
Ecotoxicity, freshwater	CTUe	1.25E+2	1.12E+2	4.81E+0	7.33E+0	8.83E-2	5.69E-1	4.62E-2	0.00E+0	-3.40E+1
Human toxicity, cancer	CTUh	2.87E-9	2.45E-9	1.94E-10	1.89E-10	3.97E-12	2.29E-11	8.05E-12	0.00E+0	1.69E-10
Human toxicity, non-cancer	CTUh	8.07E-9	6.60E-9	4.88E-10	9.14E-10	6.73E-12	5.79E-11	7.24E-12	0.00E+0	-2.87E-9
Land use	Pt	3.60E+2	3.32E+2	1.14E+1	1.48E+1	8.07E-2	1.36E+0	1.28E-1	0.00E+0	4.76E+0

4.2.1.2. Potential environmental impact in case of LANDFILL at end of use

POTENTIAL ENVIRONMENTAL IMPACT - LANDFILL - 1 YEAR - per m ²										
Impacts CML v4.3	Units	Total	Production	Construction		Use	End-of-life			D Benefits & load beyond system boundaries
			A1 – A3 Total Production.	A4 Transport	A5 Installation	B2 Maintenance (1 year)	C2 Transport	C3 Waste processing	C4 Disposal	
Climate change - GWP total	kg CO ₂ eq	1.01E+1	5.72E+0	1.08E+0	1.65E+0	1.89E-2	1.28E-1	0.00E+0	1.55E+0	0.00E+0
Climate change - GWP fossil	kg CO ₂ eq	9.68E+0	7.21E+0	1.08E+0	8.97E-1	1.87E-2	1.27E-1	0.00E+0	3.48E-1	0.00E+0
Climate change - GWP biogenic	kg CO ₂ eq	4.15E-1	-1.53E+0	3.40E-4	7.47E-1	1.13E-4	4.03E-5	0.00E+0	1.20E+0	0.00E+0
Climate change -GWP land use and change	kg CO ₂ eq	4.29E-2	4.06E-2	4.43E-4	1.74E-3	4.41E-5	5.20E-5	0.00E+0	1.07E-5	0.00E+0
Ozone depletion	kg CFC11 eq	3.57E-6	3.10E-6	2.52E-7	1.71E-7	9.80E-10	2.98E-8	0.00E+0	1.52E-8	0.00E+0
Acidification	mol H ⁺ eq	4.64E-2	3.26E-2	3.34E-3	9.68E-3	1.12E-4	3.65E-4	0.00E+0	3.64E-4	0.00E+0
Eutrophication, freshwater (P)	kg P eq	3.68E-4	3.20E-4	7.72E-6	3.60E-5	3.26E-6	9.16E-7	0.00E+0	3.53E-7	0.00E+0
Eutrophication, freshwater (PO4)	kg PO ₄ eq	1.13E-3	9.83E-4	2.37E-5	1.11E-4	1.00E-5	2.81E-6	0.00E+0	1.08E-6	0.00E+0
Eutrophication, marine	kg N eq	9.87E-3	7.89E-3	6.77E-4	9.31E-4	4.19E-5	7.25E-5	0.00E+0	2.58E-4	0.00E+0
Eutrophication, terrestrial	mol N eq	8.62E-2	6.79E-2	7.55E-3	8.36E-3	1.75E-4	8.08E-4	0.00E+0	1.47E-3	0.00E+0
Photochemical ozone formation	kg NMVOC eq	2.83E-2	2.15E-2	2.80E-3	3.10E-3	4.53E-5	3.10E-4	0.00E+0	5.05E-4	0.00E+0
Resource use, minerals and metals	kg Sb eq	1.74E-4	1.56E-4	3.93E-6	1.40E-5	1.81E-7	4.67E-7	0.00E+0	1.44E-7	0.00E+0
Resource use, fossils	MJ	2.01E+2	1.65E+2	1.65E+1	1.55E+1	3.97E-1	1.95E+0	0.00E+0	1.10E+0	0.00E+0
Water use	m ³ depriv.	9.28E+0	8.32E+0	4.91E-2	8.89E-1	1.10E-2	5.83E-3	0.00E+0	5.18E-3	0.00E+0
Particulate matter	disease inc.	4.63E-7	3.03E-7	8.71E-8	5.43E-8	4.13E-10	1.03E-8	0.00E+0	7.92E-9	0.00E+0
Ionising radiation	kBq U-235 eq	6.71E-1	5.28E-1	7.15E-2	5.42E-2	3.53E-3	8.46E-3	0.00E+0	5.05E-3	0.00E+0
Ecotoxicity, freshwater	CTUe	1.42E+2	1.12E+2	4.81E+0	7.33E+0	8.83E-2	5.69E-1	0.00E+0	1.73E+1	0.00E+0
Human toxicity, cancer	CTUh	2.87E-9	2.45E-9	1.94E-10	1.89E-10	3.97E-12	2.29E-11	0.00E+0	1.07E-11	0.00E+0
Human toxicity, non-cancer	CTUh	8.48E-9	6.60E-9	4.88E-10	9.14E-10	6.73E-12	5.79E-11	0.00E+0	4.17E-10	0.00E+0
Land use	Pt	3.62E+2	3.32E+2	1.14E+1	1.48E+1	8.07E-2	1.36E+0	0.00E+0	2.86E+0	0.00E+0

4.2.1.3. Potential environmental impact in case of INCINERATION at end of use

POTENTIAL ENVIRONMENTAL IMPACT – INCINERATION - 1 YEAR - per m²

Impacts CML v4.3	Units	Total	Production	Construction		Use	End-of-life			D Benefits & load beyond system boundaries
			A1 – A3 Total Production	A4 Transport	A5 Installation	B2 Maintenance (1 year)	C2 Transport	C3 Waste processing	C4 Disposal	
Climate change - GWP total	kg CO2 eq	1.87E+1	5.72E+0	1.08E+0	1.65E+0	1.89E-2	1.28E-1	0.00E+0	1.01E+1	-6.31E+0
Climate change - GWP fossil	kg CO2 eq	1.82E+1	7.21E+0	1.08E+0	8.97E-1	1.87E-2	1.27E-1	0.00E+0	8.91E+0	-6.28E+0
Climate change - GWP biogenic	kg CO2 eq	4.15E-1	-1.53E+0	3.40E-4	7.47E-1	1.13E-4	4.03E-5	0.00E+0	1.20E+0	-2.28E-2
Climate change -GWP land use and change	kg CO2 eq	4.31E-2	4.06E-2	4.43E-4	1.74E-3	4.41E-5	5.20E-5	0.00E+0	2.16E-4	-1.05E-2
Ozone depletion	kg CFC11 eq	3.62E-6	3.10E-6	2.52E-7	1.71E-7	9.80E-10	2.98E-8	0.00E+0	6.94E-8	-5.74E-7
Acidification	mol H+ eq	4.88E-2	3.26E-2	3.34E-3	9.68E-3	1.12E-4	3.65E-4	0.00E+0	2.77E-3	-3.33E-2
Eutrophication, freshwater (P)	kg P eq	3.74E-4	3.20E-4	7.72E-6	3.60E-5	3.26E-6	9.16E-7	0.00E+0	6.32E-6	-4.76E-4
Eutrophication, freshwater (PO4)	kg PO4 eq	1.15E-3	9.83E-4	2.37E-5	1.11E-4	1.00E-5	2.81E-6	0.00E+0	1.94E-5	-1.46E-3
Eutrophication, marine	kg N eq	1.08E-2	7.89E-3	6.77E-4	9.31E-4	4.19E-5	7.25E-5	0.00E+0	1.17E-3	-4.00E-3
Eutrophication, terrestrial	mol N eq	9.75E-2	6.79E-2	7.55E-3	8.36E-3	1.75E-4	8.08E-4	0.00E+0	1.27E-2	-4.55E-2
Photochemical ozone formation	kg NMVOC eq	3.11E-2	2.15E-2	2.80E-3	3.10E-3	4.53E-5	3.10E-4	0.00E+0	3.26E-3	-1.31E-2
Resource use, minerals and metals	kg Sb eq	1.77E-4	1.56E-4	3.93E-6	1.40E-5	1.81E-7	4.67E-7	0.00E+0	2.74E-6	-1.10E-5
Resource use, fossils	MJ	2.02E+2	1.65E+2	1.65E+1	1.55E+1	3.97E-1	1.95E+0	0.00E+0	2.10E+0	-1.23E+2
Water use	m3 depriv.	9.39E+0	8.32E+0	4.91E-2	8.89E-1	1.10E-2	5.83E-3	0.00E+0	1.20E-1	-1.04E+0
Particulate matter	disease inc.	4.74E-7	3.03E-7	8.71E-8	5.43E-8	4.13E-10	1.03E-8	0.00E+0	1.95E-8	-1.35E-7
Ionising radiation	kBq U-235 eq	6.73E-1	5.28E-1	7.15E-2	5.42E-2	3.53E-3	8.46E-3	0.00E+0	7.47E-3	-9.19E-1
Ecotoxicity, freshwater	CTUe	1.49E+2	1.12E+2	4.81E+0	7.33E+0	8.83E-2	5.69E-1	0.00E+0	2.44E+1	-8.33E+0
Human toxicity, cancer	CTUh	4.25E-9	2.45E-9	1.94E-10	1.89E-10	3.97E-12	2.29E-11	0.00E+0	1.39E-9	-6.03E-10
Human toxicity, non-cancer	CTUh	8.23E-9	6.60E-9	4.88E-10	9.14E-10	6.73E-12	5.79E-11	0.00E+0	1.63E-10	-9.29E-10
Land use	Pt	3.60E+2	3.32E+2	1.14E+1	1.48E+1	8.07E-2	1.36E+0	0.00E+0	7.95E-1	-1.57E+1

4.2.2. Environmental impacts for 75 years

4.2.2.1. Potential environmental impact in case of RECYCLING at end of use

POTENTIAL ENVIRONMENTAL IMPACT - RECYCLING - 75 YEARS - per m ²											
Impacts CML v4.3	Units	Total	Production	Construction		Use		End-of-life			D Benefits & load beyond system boundaries
			A1 – A3 Total Production	A4 Transport	A5 Installation	B2 Mainten. (75 years)	B4 Replace (75 years)	C2 Transport	C3 Waste processing	C4 Disposal	
Climate change - GWP total	kg CO2 eq	3.09E+1	5.72E+0	1.08E+0	1.65E+0	1.42E+0	1.96E+1	1.28E-1	1.24E+0	0.00E+0	-3.05E+0
Climate change - GWP fossil	kg CO2 eq	2.95E+1	7.21E+0	1.08E+0	8.97E-1	1.40E+0	1.87E+1	1.27E-1	3.93E-2	0.00E+0	-3.13E+0
Climate change - GWP biogenic	kg CO2 eq	1.25E+0	-1.53E+0	3.40E-4	7.47E-1	8.47E-3	8.30E-1	4.03E-5	1.20E+0	0.00E+0	7.92E-2
Climate change -GWP land use and change	kg CO2 eq	1.32E-1	4.06E-2	4.43E-4	1.74E-3	3.31E-3	8.58E-2	5.20E-5	9.14E-5	0.00E+0	-1.29E-3
Ozone depletion	kg CFC11 eq	1.07E-5	3.10E-6	2.52E-7	1.71E-7	7.35E-8	7.11E-6	2.98E-8	2.00E-9	0.00E+0	-1.10E-6
Acidification	mol H+ eq	1.47E-1	3.26E-2	3.34E-3	9.68E-3	8.41E-3	9.23E-2	3.65E-4	2.12E-4	0.00E+0	-1.75E-2
Eutrophication, freshwater (P)	kg P eq	1.35E-3	3.20E-4	7.72E-6	3.60E-5	2.44E-4	7.38E-4	9.16E-7	4.12E-6	0.00E+0	-4.27E-5
Eutrophication, freshwater (PO4)	kg PO4 eq	4.15E-3	9.83E-4	2.37E-5	1.11E-4	7.50E-4	2.27E-3	2.81E-6	1.27E-5	0.00E+0	-1.31E-4
Eutrophication, marine	kg N eq	3.19E-2	7.89E-3	6.77E-4	9.31E-4	3.14E-3	1.92E-2	7.25E-5	2.88E-5	0.00E+0	-2.34E-3
Eutrophication, terrestrial	mol N eq	2.68E-1	6.79E-2	7.55E-3	8.36E-3	1.32E-2	1.70E-1	8.08E-4	3.30E-4	0.00E+0	-2.63E-2
Photochemical ozone formation	kg NMVOC eq	8.69E-2	2.15E-2	2.80E-3	3.10E-3	3.40E-3	5.57E-2	3.10E-4	9.27E-5	0.00E+0	-1.55E-2
Resource use, minerals and metals	kg Sb eq	5.36E-4	1.56E-4	3.93E-6	1.40E-5	1.36E-5	3.48E-4	4.67E-7	1.11E-7	0.00E+0	-6.50E-5
Resource use, fossils	MJ	6.30E+2	1.65E+2	1.65E+1	1.55E+1	2.98E+1	4.00E+2	1.95E+0	8.29E-1	0.00E+0	-1.10E+2
Water use	m3 depriv.	2.86E+1	8.32E+0	4.91E-2	8.89E-1	8.24E-1	1.85E+1	5.83E-3	9.48E-3	0.00E+0	-2.81E+0
Particulate matter	disease inc.	1.40E-6	3.03E-7	8.71E-8	5.43E-8	3.10E-8	9.10E-7	1.03E-8	6.93E-10	0.00E+0	-1.38E-7
Ionising radiation	kBq U-235 eq	2.27E+0	5.28E-1	7.15E-2	5.42E-2	2.64E-1	1.34E+0	8.46E-3	7.33E-3	0.00E+0	1.91E-2
Ecotoxicity, freshwater	CTUe	3.80E+2	1.12E+2	4.81E+0	7.33E+0	6.62E+0	2.49E+2	5.69E-1	4.62E-2	0.00E+0	-3.40E+1
Human toxicity, cancer	CTUh	8.89E-9	2.45E-9	1.94E-10	1.89E-10	2.98E-10	5.73E-9	2.29E-11	8.05E-12	0.00E+0	1.69E-10
Human toxicity, non-cancer	CTUh	2.47E-8	6.60E-9	4.88E-10	9.14E-10	5.05E-10	1.61E-8	5.79E-11	7.24E-12	0.00E+0	-2.87E-9
Land use	Pt	1.08E+3	3.32E+2	1.14E+1	1.48E+1	6.05E+0	7.19E+2	1.36E+0	1.28E-1	0.00E+0	4.76E+0

4.2.2.2. Potential environmental impact in case of LANDFILL at end of use

POTENTIAL ENVIRONMENTAL IMPACT - LANDFILL - 75 YEARS - per m ²											
Impacts CML v4.3	Units	Total	Production	Construction		Use		End-of-life			D Benefits & load beyond system boundaries
			A1 – A3 Total Production	A4 Transport	A5 Installation	B2 Mainten. (75 years)	B4 Replace (75 years)	C2 Transport	C3 Waste processing	C4 Disposal	
Climate change - GWP total	kg CO2 eq	3.18E+1	5.72E+0	1.08E+0	1.65E+0	1.42E+0	2.02E+1	1.28E-1	0.00E+0	1.55E+0	0.00E+0
Climate change - GWP fossil	kg CO2 eq	3.04E+1	7.21E+0	1.08E+0	8.97E-1	1.40E+0	1.93E+1	1.27E-1	0.00E+0	3.48E-1	0.00E+0
Climate change - GWP biogenic	kg CO2 eq	1.25E+0	-1.53E+0	3.40E-4	7.47E-1	8.47E-3	8.30E-1	4.03E-5	0.00E+0	1.20E+0	0.00E+0
Climate change -GWP land use and change	kg CO2 eq	1.32E-1	4.06E-2	4.43E-4	1.74E-3	3.31E-3	8.57E-2	5.20E-5	0.00E+0	1.07E-5	0.00E+0
Ozone depletion	kg CFC11 eq	1.08E-5	3.10E-6	2.52E-7	1.71E-7	7.35E-8	7.14E-6	2.98E-8	0.00E+0	1.52E-8	0.00E+0
Acidification	mol H+ eq	1.47E-1	3.26E-2	3.34E-3	9.68E-3	8.41E-3	9.26E-2	3.65E-4	0.00E+0	3.64E-4	0.00E+0
Eutrophication, freshwater (P)	kg P eq	1.34E-3	3.20E-4	7.72E-6	3.60E-5	2.44E-4	7.30E-4	9.16E-7	0.00E+0	3.53E-7	0.00E+0
Eutrophication, freshwater (PO4)	kg PO4 eq	4.11E-3	9.83E-4	2.37E-5	1.11E-4	7.50E-4	2.24E-3	2.81E-6	0.00E+0	1.08E-6	0.00E+0
Eutrophication, marine	kg N eq	3.26E-2	7.89E-3	6.77E-4	9.31E-4	3.14E-3	1.97E-2	7.25E-5	0.00E+0	2.58E-4	0.00E+0
Eutrophication, terrestrial	mol N eq	2.71E-1	6.79E-2	7.55E-3	8.36E-3	1.32E-2	1.72E-1	8.08E-4	0.00E+0	1.47E-3	0.00E+0
Photochemical ozone formation	kg NMVOC eq	8.82E-2	2.15E-2	2.80E-3	3.10E-3	3.40E-3	5.65E-2	3.10E-4	0.00E+0	5.05E-4	0.00E+0
Resource use, minerals and metals	kg Sb eq	5.36E-4	1.56E-4	3.93E-6	1.40E-5	1.36E-5	3.48E-4	4.67E-7	0.00E+0	1.44E-7	0.00E+0
Resource use, fossils	MJ	6.30E+2	1.65E+2	1.65E+1	1.55E+1	2.98E+1	4.00E+2	1.95E+0	0.00E+0	1.10E+0	0.00E+0
Water use	m3 depriv.	2.86E+1	8.32E+0	4.91E-2	8.89E-1	8.24E-1	1.85E+1	5.83E-3	0.00E+0	5.18E-3	0.00E+0
Particulate matter	disease inc.	1.42E-6	3.03E-7	8.71E-8	5.43E-8	3.10E-8	9.25E-7	1.03E-8	0.00E+0	7.92E-9	0.00E+0
Ionising radiation	kBq U-235 eq	2.27E+0	5.28E-1	7.15E-2	5.42E-2	2.64E-1	1.34E+0	8.46E-3	0.00E+0	5.05E-3	0.00E+0
Ecotoxicity, freshwater	CTUe	4.32E+2	1.12E+2	4.81E+0	7.33E+0	6.62E+0	2.84E+2	5.69E-1	0.00E+0	1.73E+1	0.00E+0
Human toxicity, cancer	CTUh	8.90E-9	2.45E-9	1.94E-10	1.89E-10	2.98E-10	5.74E-9	2.29E-11	0.00E+0	1.07E-11	0.00E+0
Human toxicity, non-cancer	CTUh	2.59E-8	6.60E-9	4.88E-10	9.14E-10	5.05E-10	1.69E-8	5.79E-11	0.00E+0	4.17E-10	0.00E+0
Land use	Pt	1.09E+3	3.32E+2	1.14E+1	1.48E+1	6.05E+0	7.25E+2	1.36E+0	0.00E+0	2.86E+0	0.00E+0

4.2.2.3. Potential environmental impact in case of INCINERATION at end of use

POTENTIAL ENVIRONMENTAL IMPACT – INCINERATION - 75 YEARS - per m ²											
Impacts CML v4.3	Units	Total	Production	Construction		Use		End-of-life			D Benefits & load beyond system boundaries
			A1 – A3 Total Production	A4 Transport	A5 Installation	B2 Mainten. (75 years)	B4 Replace (75 years)	C2 Transport	C3 Waste processing	C4 Disposal	
Climate change - GWP total	kg CO2 eq	5.75E+1	5.72E+0	1.08E+0	1.65E+0	1.42E+0	3.74E+1	1.28E-1	0.00E+0	1.01E+1	-6.31E+0
Climate change - GWP fossil	kg CO2 eq	5.61E+1	7.21E+0	1.08E+0	8.97E-1	1.40E+0	3.65E+1	1.27E-1	0.00E+0	8.91E+0	-6.28E+0
Climate change - GWP biogenic	kg CO2 eq	1.25E+0	-1.53E+0	3.40E-4	7.47E-1	8.47E-3	8.30E-1	4.03E-5	0.00E+0	1.20E+0	-2.28E-2
Climate change -GWP land use and change	kg CO2 eq	1.32E-1	4.06E-2	4.43E-4	1.74E-3	3.31E-3	8.61E-2	5.20E-5	0.00E+0	2.16E-4	-1.05E-2
Ozone depletion	kg CFC11 eq	1.09E-5	3.10E-6	2.52E-7	1.71E-7	7.35E-8	7.25E-6	2.98E-8	0.00E+0	6.94E-8	-5.74E-7
Acidification	mol H+ eq	1.55E-1	3.26E-2	3.34E-3	9.68E-3	8.41E-3	9.75E-2	3.65E-4	0.00E+0	2.77E-3	-3.33E-2
Eutrophication, freshwater (P)	kg P eq	1.36E-3	3.20E-4	7.72E-6	3.60E-5	2.44E-4	7.42E-4	9.16E-7	0.00E+0	6.32E-6	-4.76E-4
Eutrophication, freshwater (PO4)	kg PO4 eq	4.17E-3	9.83E-4	2.37E-5	1.11E-4	7.50E-4	2.28E-3	2.81E-6	0.00E+0	1.94E-5	-1.46E-3
Eutrophication, marine	kg N eq	3.54E-2	7.89E-3	6.77E-4	9.31E-4	3.14E-3	2.15E-2	7.25E-5	0.00E+0	1.17E-3	-4.00E-3
Eutrophication, terrestrial	mol N eq	3.05E-1	6.79E-2	7.55E-3	8.36E-3	1.32E-2	1.95E-1	8.08E-4	0.00E+0	1.27E-2	-4.55E-2
Photochemical ozone formation	kg NMVOC eq	9.64E-2	2.15E-2	2.80E-3	3.10E-3	3.40E-3	6.20E-2	3.10E-4	0.00E+0	3.26E-3	-1.31E-2
Resource use, minerals and metals	kg Sb eq	5.44E-4	1.56E-4	3.93E-6	1.40E-5	1.36E-5	3.53E-4	4.67E-7	0.00E+0	2.74E-6	-1.10E-5
Resource use, fossils	MJ	6.33E+2	1.65E+2	1.65E+1	1.55E+1	2.98E+1	4.02E+2	1.95E+0	0.00E+0	2.10E+0	-1.23E+2
Water use	m3 depriv.	2.90E+1	8.32E+0	4.91E-2	8.89E-1	8.24E-1	1.88E+1	5.83E-3	0.00E+0	1.20E-1	-1.04E+0
Particulate matter	disease inc.	1.45E-6	3.03E-7	8.71E-8	5.43E-8	3.10E-8	9.48E-7	1.03E-8	0.00E+0	1.95E-8	-1.35E-7
Ionising radiation	kBq U-235 eq	2.27E+0	5.28E-1	7.15E-2	5.42E-2	2.64E-1	1.34E+0	8.46E-3	0.00E+0	7.47E-3	-9.19E-1
Ecotoxicity, freshwater	CTUe	4.53E+2	1.12E+2	4.81E+0	7.33E+0	6.62E+0	2.98E+2	5.69E-1	0.00E+0	2.44E+1	-8.33E+0
Human toxicity, cancer	CTUh	1.30E-8	2.45E-9	1.94E-10	1.89E-10	2.98E-10	8.49E-9	2.29E-11	0.00E+0	1.39E-9	-6.03E-10
Human toxicity, non-cancer	CTUh	2.52E-8	6.60E-9	4.88E-10	9.14E-10	5.05E-10	1.64E-8	5.79E-11	0.00E+0	1.63E-10	-9.29E-10
Land use	Pt	1.09E+3	3.32E+2	1.14E+1	1.48E+1	6.05E+0	7.21E+2	1.36E+0	0.00E+0	7.95E-1	-1.57E+1

4.3. Life Cycle Assessment – Resources, wastes categories and outgoing flows

4.3.1. Resources, wastes categories and outgoing flows for 1 year

4.3.1.1. Resources, waste categories and outgoing flows in case of RECYCLING at end of use

RESOURCES, WASTES CATEGORIES AND OUTGOING FLOWS - RECYCLING - 1 YEAR - per m ²										
Impacts CML v4.3	Units	Total	Production	Construction		Use	End-of-life			D Benefits & load beyond system boundaries
			A1 – A3 Total Production	A4 Transport	A5 Installation	B2 Mainten. (1 year)	C2 Transport	C3 Waste processing	C4 Disposal	
Renewable primary energy excl. RM	kg CO ₂ eq	1.45E+1	1.19E+1	2.35E-1	2.09E+0	8.07E-2	2.78E-2	1.45E-1	0.00E+0	-5.43E-1
Renewable primary energy used as RM	kg CO ₂ eq	3.17E+1	3.56E+1	0.00E+0	-3.86E+0	0.00E+0	0.00E+0	0.00E+0	0.00E+0	0.00E+0
Total renewable primary energy	kg CO ₂ eq	4.62E+1	4.75E+1	2.35E-1	-1.77E+0	8.07E-2	2.78E-2	1.45E-1	0.00E+0	-5.43E-1
Non renewable primary energy excl. RM	kg CO ₂ eq	1.49E+2	1.23E+2	1.65E+1	6.14E+0	3.97E-1	1.95E+0	8.29E-1	0.00E+0	-7.41E+1
Non renewable primary energy used as RM	kg CFC11 eq	5.13E+1	4.20E+1	0.00E+0	9.32E+0	0.00E+0	0.00E+0	0.00E+0	0.00E+0	-3.64E+1
Total non renewable primary energy	mol H+ eq	2.00E+2	1.65E+2	1.65E+1	1.55E+1	3.97E-1	1.95E+0	8.29E-1	0.00E+0	-1.10E+2
Use of secondary material	kg P eq	1.50E+0	1.45E+0	0.00E+0	4.36E-2	0.00E+0	0.00E+0	0.00E+0	0.00E+0	0.00E+0
Use of renewable secondary fuels	kg PO ₄ eq	0.00E+0	0.00E+0	0.00E+0	0.00E+0	0.00E+0	0.00E+0	0.00E+0	0.00E+0	0.00E+0
Use of non renewable secondary fuels	kg N eq	0.00E+0	0.00E+0	0.00E+0	0.00E+0	0.00E+0	0.00E+0	0.00E+0	0.00E+0	0.00E+0
Recovered energy	mol N eq	0.00E+0	0.00E+0	0.00E+0	0.00E+0	0.00E+0	0.00E+0	0.00E+0	0.00E+0	0.00E+0
Net use of fresh water	kg NMVOC eq	1.51E-1	1.27E-1	1.86E-3	2.03E-2	4.92E-4	2.20E-4	7.10E-4	0.00E+0	-5.43E-2
Hazardous waste disposed	kg Sb eq	5.00E-1	3.84E-1	1.21E-2	1.01E-1	5.55E-4	1.43E-3	1.31E-3	0.00E+0	-7.01E-2
Non hazardous waste disposed	MJ	6.73E+0	3.32E+0	9.52E-1	2.32E+0	7.88E-3	1.13E-1	1.37E-2	0.00E+0	-9.47E-1
Radioactive waste disposed (High)	m ³ depriv.	1.18E-4	1.07E-4	1.22E-6	7.45E-6	6.06E-7	1.45E-7	1.26E-6	0.00E+0	-2.77E-6
Radioactive waste disposed (Inter-Low)	disease inc.	6.74E-4	4.91E-4	1.10E-4	5.32E-5	2.29E-6	1.30E-5	4.76E-6	0.00E+0	1.39E-5
Components for re-use	kBq U-235 eq	0.00E+0	0.00E+0	0.00E+0	0.00E+0	0.00E+0	0.00E+0	0.00E+0	0.00E+0	0.00E+0
Materials for recycling	CTUe	5.20E+0	4.62E-2	0.00E+0	2.58E-1	0.00E+0	0.00E+0	4.90E+0	0.00E+0	0.00E+0
Materials for energy recovery	CTUh	0.00E+0	0.00E+0	0.00E+0	0.00E+0	0.00E+0	0.00E+0	0.00E+0	0.00E+0	0.00E+0
Exported energy	CTUh	1.49E+0	1.03E+0	0.00E+0	4.64E-1	0.00E+0	0.00E+0	0.00E+0	0.00E+0	0.00E+0

4.3.1.2. Resources, waste categories and outgoing flows in case of LANDFILL at end of use

RESOURCES, WASTES CATEGORIES AND OUTGOING FLOWS - LANDFILL - 1 YEAR - per m ²										
Impacts CML v4.3	Units	Total	Production	Construction		Use	End-of-life			D Benefits & load beyond system boundaries
			A1 – A3 Total Production	A4 Transport	A5 Installation	B2 Mainten. (1 year)	C2 Transport	C3 Waste processing	C4 Disposal	
Renewable primary energy excl. RM	kg CO2 eq	1.44E+1	1.19E+1	2.35E-1	2.09E+0	8.07E-2	2.78E-2	0.00E+0	4.82E-2	0.00E+0
Renewable primary energy used as RM	kg CO2 eq	3.17E+1	3.56E+1	0.00E+0	-3.86E+0	0.00E+0	0.00E+0	0.00E+0	0.00E+0	0.00E+0
Total renewable primary energy	kg CO2 eq	4.61E+1	4.75E+1	2.35E-1	-1.77E+0	8.07E-2	2.78E-2	0.00E+0	4.82E-2	0.00E+0
Non renewable primary energy excl. RM	kg CO2 eq	1.49E+2	1.23E+2	1.65E+1	6.14E+0	3.97E-1	1.95E+0	0.00E+0	1.10E+0	0.00E+0
Non renewable primary energy used as RM	kg CFC11 eq	5.13E+1	4.20E+1	0.00E+0	9.32E+0	0.00E+0	0.00E+0	0.00E+0	0.00E+0	0.00E+0
Total non renewable primary energy	mol H+ eq	2.01E+2	1.65E+2	1.65E+1	1.55E+1	3.97E-1	1.95E+0	0.00E+0	1.10E+0	0.00E+0
Use of secondary material	kg P eq	1.50E+0	1.45E+0	0.00E+0	4.36E-2	0.00E+0	0.00E+0	0.00E+0	0.00E+0	0.00E+0
Use of renewable secondary fuels	kg PO4 eq	0.00E+0	0.00E+0	0.00E+0	0.00E+0	0.00E+0	0.00E+0	0.00E+0	0.00E+0	0.00E+0
Use of non renewable secondary fuels	kg N eq	0.00E+0	0.00E+0	0.00E+0	0.00E+0	0.00E+0	0.00E+0	0.00E+0	0.00E+0	0.00E+0
Recovered energy	mol N eq	0.00E+0	0.00E+0	0.00E+0	0.00E+0	0.00E+0	0.00E+0	0.00E+0	0.00E+0	0.00E+0
Net use of fresh water	kg NMVOC eq	1.52E-1	1.27E-1	1.86E-3	2.03E-2	4.92E-4	2.20E-4	0.00E+0	1.39E-3	0.00E+0
Hazardous waste disposed	kg Sb eq	5.00E-1	3.84E-1	1.21E-2	1.01E-1	5.55E-4	1.43E-3	0.00E+0	1.26E-3	0.00E+0
Non hazardous waste disposed	MJ	1.16E+1	3.32E+0	9.52E-1	2.32E+0	7.88E-3	1.13E-1	0.00E+0	4.91E+0	0.00E+0
Radioactive waste disposed (High)	m3 depriv.	1.17E-4	1.07E-4	1.22E-6	7.45E-6	6.06E-7	1.45E-7	0.00E+0	1.27E-7	0.00E+0
Radioactive waste disposed (Inter-Low)	disease inc.	6.77E-4	4.91E-4	1.10E-4	5.32E-5	2.29E-6	1.30E-5	0.00E+0	6.96E-6	0.00E+0
Components for re-use	kBq U-235 eq	0.00E+0	0.00E+0	0.00E+0	0.00E+0	0.00E+0	0.00E+0	0.00E+0	0.00E+0	0.00E+0
Materials for recycling	CTUe	3.04E-1	4.62E-2	0.00E+0	2.58E-1	0.00E+0	0.00E+0	0.00E+0	0.00E+0	0.00E+0
Materials for energy recovery	CTUh	0.00E+0	0.00E+0	0.00E+0	0.00E+0	0.00E+0	0.00E+0	0.00E+0	0.00E+0	0.00E+0
Exported energy	CTUh	1.49E+0	1.03E+0	0.00E+0	4.64E-1	0.00E+0	0.00E+0	0.00E+0	0.00E+0	0.00E+0

4.3.1.3. Resources, waste categories and outgoing flows in case of INCINERATION at end of use

RESOURCES, WASTES CATEGORIES AND OUTGOING FLOWS – INCINERATION - 1 YEAR - per m ²										
Impacts CML v4.3	Units	Total	Production	Construction		Use	End-of-life			D Benefits & load beyond system boundaries
			A1 – A3 Total Production	A4 Transport	A5 Installation	B2 Mainten. (1 year)	C2 Transport	C3 Waste processing	C4 Disposal	
Renewable primary energy excl. RM	kg CO2 eq	1.45E+1	1.19E+1	2.35E-1	2.09E+0	8.07E-2	2.78E-2	0.00E+0	1.85E-1	-1.69E+1
Renewable primary energy used as RM	kg CO2 eq	3.17E+1	3.56E+1	0.00E+0	-3.86E+0	0.00E+0	0.00E+0	0.00E+0	0.00E+0	0.00E+0
Total renewable primary energy	kg CO2 eq	4.62E+1	4.75E+1	2.35E-1	-1.77E+0	8.07E-2	2.78E-2	0.00E+0	1.85E-1	-1.69E+1
Non renewable primary energy excl. RM	kg CO2 eq	2.53E+2	1.23E+2	1.65E+1	6.14E+0	3.97E-1	1.95E+0	0.00E+0	1.04E+2	-1.23E+2
Non renewable primary energy used as RM	kg CFC11 eq	-5.11E+1	4.20E+1	0.00E+0	9.32E+0	0.00E+0	0.00E+0	0.00E+0	-1.02E+2	0.00E+0
Total non renewable primary energy	mol H+ eq	2.02E+2	1.65E+2	1.65E+1	1.55E+1	3.97E-1	1.95E+0	0.00E+0	2.10E+0	-1.23E+2
Use of secondary material	kg P eq	1.50E+0	1.45E+0	0.00E+0	4.36E-2	0.00E+0	0.00E+0	0.00E+0	0.00E+0	0.00E+0
Use of renewable secondary fuels	kg PO4 eq	0.00E+0	0.00E+0	0.00E+0	0.00E+0	0.00E+0	0.00E+0	0.00E+0	0.00E+0	0.00E+0
Use of non renewable secondary fuels	kg N eq	0.00E+0	0.00E+0	0.00E+0	0.00E+0	0.00E+0	0.00E+0	0.00E+0	0.00E+0	0.00E+0
Recovered energy	mol N eq	0.00E+0	0.00E+0	0.00E+0	0.00E+0	0.00E+0	0.00E+0	0.00E+0	0.00E+0	0.00E+0
Net use of fresh water	kg NMVOC eq	1.56E-1	1.27E-1	1.86E-3	2.03E-2	4.92E-4	2.20E-4	0.00E+0	5.36E-3	-8.10E-2
Hazardous waste disposed	kg Sb eq	1.22E+0	3.84E-1	1.21E-2	1.01E-1	5.55E-4	1.43E-3	0.00E+0	7.26E-1	-9.84E-2
Non hazardous waste disposed	MJ	6.82E+0	3.32E+0	9.52E-1	2.32E+0	7.88E-3	1.13E-1	0.00E+0	1.09E-1	-1.27E+0
Radioactive waste disposed (High)	m3 depriv.	1.17E-4	1.07E-4	1.22E-6	7.45E-6	6.06E-7	1.45E-7	0.00E+0	9.58E-7	-1.47E-4
Radioactive waste disposed (Inter-Low)	disease inc.	6.76E-4	4.91E-4	1.10E-4	5.32E-5	2.29E-6	1.30E-5	0.00E+0	6.31E-6	-6.59E-4
Components for re-use	kBq U-235 eq	0.00E+0	0.00E+0	0.00E+0	0.00E+0	0.00E+0	0.00E+0	0.00E+0	0.00E+0	0.00E+0
Materials for recycling	CTUe	3.04E-1	4.62E-2	0.00E+0	2.58E-1	0.00E+0	0.00E+0	0.00E+0	0.00E+0	0.00E+0
Materials for energy recovery	CTUh	0.00E+0	0.00E+0	0.00E+0	0.00E+0	0.00E+0	0.00E+0	0.00E+0	0.00E+0	0.00E+0
Exported energy	CTUh	3.64E+1	1.03E+0	0.00E+0	4.64E-1	0.00E+0	0.00E+0	0.00E+0	3.49E+1	0.00E+0

4.3.2. Resources, waste categories and outgoing flows for 75 years

4.3.2.1. Resources, waste categories and outgoing flows in case of RECYCLING at end of use

RESOURCES, WASTES CATEGORIES AND OUTGOING FLOWS - RECYCLING - 75 YEARS - per m ²											
Impacts CML v4.3	Units	Total	Production	Construction		Use		End-of-life			D Benefits & load beyond system boundaries
			A1 – A3 Total Production	A4 Transport	A5 Installation	B2 Mainten. (75 years)	B4 Replace (75 years)	C2 Transport	C3 Waste processing	C4 Disposal	
Renewable primary energy excl. RM	kg CO2 eq	4.92E+1	1.19E+1	2.35E-1	2.09E+0	6.05E+0	2.88E+1	2.78E-2	1.45E-1	0.00E+0	-5.43E-1
Renewable primary energy used as RM	kg CO2 eq	9.52E+1	3.56E+1	0.00E+0	-3.86E+0	0.00E+0	6.35E+1	0.00E+0	0.00E+0	0.00E+0	0.00E+0
Total renewable primary energy	kg CO2 eq	1.44E+2	4.75E+1	2.35E-1	-1.77E+0	6.05E+0	9.22E+1	2.78E-2	1.45E-1	0.00E+0	-5.43E-1
Non renewable primary energy excl. RM	kg CO2 eq	4.76E+2	1.23E+2	1.65E+1	6.14E+0	2.98E+1	2.97E+2	1.95E+0	8.29E-1	0.00E+0	-7.41E+1
Non renewable primary energy used as RM	kg CFC11 eq	1.54E+2	4.20E+1	0.00E+0	9.32E+0	0.00E+0	1.03E+2	0.00E+0	0.00E+0	0.00E+0	-3.64E+1
Total non renewable primary energy	mol H+ eq	6.30E+2	1.65E+2	1.65E+1	1.55E+1	2.98E+1	4.00E+2	1.95E+0	8.29E-1	0.00E+0	-1.10E+2
Use of secondary material	kg P eq	4.49E+0	1.45E+0	0.00E+0	4.36E-2	0.00E+0	2.99E+0	0.00E+0	0.00E+0	0.00E+0	0.00E+0
Use of renewable secondary fuels	kg PO4 eq	0.00E+0	0.00E+0	0.00E+0	0.00E+0	0.00E+0	0.00E+0	0.00E+0	0.00E+0	0.00E+0	0.00E+0
Use of non renewable secondary fuels	kg N eq	0.00E+0	0.00E+0	0.00E+0	0.00E+0	0.00E+0	0.00E+0	0.00E+0	0.00E+0	0.00E+0	0.00E+0
Recovered energy	mol N eq	0.00E+0	0.00E+0	0.00E+0	0.00E+0	0.00E+0	0.00E+0	0.00E+0	0.00E+0	0.00E+0	0.00E+0
Net use of fresh water	kg NMVOC eq	4.89E-1	1.27E-1	1.86E-3	2.03E-2	3.69E-2	3.01E-1	2.20E-4	7.10E-4	0.00E+0	-5.43E-2
Hazardous waste disposed	kg Sb eq	1.54E+0	3.84E-1	1.21E-2	1.01E-1	4.16E-2	9.98E-1	1.43E-3	1.31E-3	0.00E+0	-7.01E-2
Non hazardous waste disposed	MJ	2.07E+1	3.32E+0	9.52E-1	2.32E+0	5.91E-1	1.34E+1	1.13E-1	1.37E-2	0.00E+0	-9.47E-1
Radioactive waste disposed (High)	m3 depriv.	3.97E-4	1.07E-4	1.22E-6	7.45E-6	4.55E-5	2.34E-4	1.45E-7	1.26E-6	0.00E+0	-2.77E-6
Radioactive waste disposed (Inter-Low)	disease inc.	2.19E-3	4.91E-4	1.10E-4	5.32E-5	1.71E-4	1.34E-3	1.30E-5	4.76E-6	0.00E+0	1.39E-5
Components for re-use	kBq U-235 eq	0.00E+0	0.00E+0	0.00E+0	0.00E+0	0.00E+0	0.00E+0	0.00E+0	0.00E+0	0.00E+0	0.00E+0
Materials for recycling	CTUe	1.56E+1	4.62E-2	0.00E+0	2.58E-1	0.00E+0	1.04E+1	0.00E+0	4.90E+0	0.00E+0	0.00E+0
Materials for energy recovery	CTUh	0.00E+0	0.00E+0	0.00E+0	0.00E+0	0.00E+0	0.00E+0	0.00E+0	0.00E+0	0.00E+0	0.00E+0
Exported energy	CTUh	4.48E+0	1.03E+0	0.00E+0	4.64E-1	0.00E+0	2.99E+0	0.00E+0	0.00E+0	0.00E+0	0.00E+0

4.3.2.2. Resources, waste categories and outgoing flows in case of LANDFILL at end of use

RESOURCES, WASTES CATEGORIES AND OUTGOING FLOWS - LANDFILL - 75 YEARS - per m ²											
Impacts CML v4.3	Units	Total	Production	Construction		Use		End-of-life			D Benefits & load beyond system boundaries
			A1 – A3 Total Production	A4 Transport	A5 Installation	B2 Mainten. (75 years)	B4 Replace (75 years)	C2 Transport	C3 Waste processing	C4 Disposal	
Renewable primary energy excl. RM	kg CO2 eq	4.89E+1	1.19E+1	2.35E-1	2.09E+0	6.05E+0	2.86E+1	2.78E-2	0.00E+0	4.82E-2	0.00E+0
Renewable primary energy used as RM	kg CO2 eq	9.52E+1	3.56E+1	0.00E+0	-3.86E+0	0.00E+0	6.35E+1	0.00E+0	0.00E+0	0.00E+0	0.00E+0
Total renewable primary energy	kg CO2 eq	1.44E+2	4.75E+1	2.35E-1	-1.77E+0	6.05E+0	9.20E+1	2.78E-2	0.00E+0	4.82E-2	0.00E+0
Non renewable primary energy excl. RM	kg CO2 eq	4.77E+2	1.23E+2	1.65E+1	6.14E+0	2.98E+1	2.98E+2	1.95E+0	0.00E+0	1.10E+0	0.00E+0
Non renewable primary energy used as RM	kg CFC11 eq	1.54E+2	4.20E+1	0.00E+0	9.32E+0	0.00E+0	1.03E+2	0.00E+0	0.00E+0	0.00E+0	0.00E+0
Total non renewable primary energy	mol H+ eq	6.31E+2	1.65E+2	1.65E+1	1.55E+1	2.98E+1	4.01E+2	1.95E+0	0.00E+0	1.10E+0	0.00E+0
Use of secondary material	kg P eq	4.49E+0	1.45E+0	0.00E+0	4.36E-2	0.00E+0	2.99E+0	0.00E+0	0.00E+0	0.00E+0	0.00E+0
Use of renewable secondary fuels	kg PO4 eq	0.00E+0	0.00E+0	0.00E+0	0.00E+0	0.00E+0	0.00E+0	0.00E+0	0.00E+0	0.00E+0	0.00E+0
Use of non renewable secondary fuels	kg N eq	0.00E+0	0.00E+0	0.00E+0	0.00E+0	0.00E+0	0.00E+0	0.00E+0	0.00E+0	0.00E+0	0.00E+0
Recovered energy	mol N eq	0.00E+0	0.00E+0	0.00E+0	0.00E+0	0.00E+0	0.00E+0	0.00E+0	0.00E+0	0.00E+0	0.00E+0
Net use of fresh water	kg NMVOC eq	4.91E-1	1.27E-1	1.86E-3	2.03E-2	3.69E-2	3.02E-1	2.20E-4	0.00E+0	1.39E-3	0.00E+0
Hazardous waste disposed	kg Sb eq	1.54E+0	3.84E-1	1.21E-2	1.01E-1	4.16E-2	9.98E-1	1.43E-3	0.00E+0	1.26E-3	0.00E+0
Non hazardous waste disposed	MJ	3.54E+1	3.32E+0	9.52E-1	2.32E+0	5.91E-1	2.32E+1	1.13E-1	0.00E+0	4.91E+0	0.00E+0
Radioactive waste disposed (High)	m3 depriv.	3.93E-4	1.07E-4	1.22E-6	7.45E-6	4.55E-5	2.32E-4	1.45E-7	0.00E+0	1.27E-7	0.00E+0
Radioactive waste disposed (Inter-Low)	disease inc.	2.19E-3	4.91E-4	1.10E-4	5.32E-5	1.71E-4	1.35E-3	1.30E-5	0.00E+0	6.96E-6	0.00E+0
Components for re-use	kBq U-235 eq	0.00E+0	0.00E+0	0.00E+0	0.00E+0	0.00E+0	0.00E+0	0.00E+0	0.00E+0	0.00E+0	0.00E+0
Materials for recycling	CTUe	9.11E-1	4.62E-2	0.00E+0	2.58E-1	0.00E+0	6.08E-1	0.00E+0	0.00E+0	0.00E+0	0.00E+0
Materials for energy recovery	CTUh	0.00E+0	0.00E+0	0.00E+0	0.00E+0	0.00E+0	0.00E+0	0.00E+0	0.00E+0	0.00E+0	0.00E+0
Exported energy	CTUh	4.48E+0	1.03E+0	0.00E+0	4.64E-1	0.00E+0	2.99E+0	0.00E+0	0.00E+0	0.00E+0	0.00E+0

4.3.2.3. Resources, waste categories and outgoing flows in case of INCINERATION at end of use

RESOURCES, WASTES CATEGORIES AND OUTGOING FLOWS - INCINERATION - 75 YEARS - per m ²											
Impacts CML v4.3	Units	Total	Production	Construction		Use		End-of-life			D Benefits & load beyond system boundaries
			A1 – A3 Total Production	A4 Transport	A5 Installation	B2 Mainten. (75 years)	B4 Replace (75 years)	C2 Transport	C3 Waste processing	C4 Disposal	
Renewable primary energy excl. RM	kg CO2 eq	4.93E+1	1.19E+1	2.35E-1	2.09E+0	6.05E+0	2.88E+1	2.78E-2	0.00E+0	1.85E-1	-1.69E+1
Renewable primary energy used as RM	kg CO2 eq	9.52E+1	3.56E+1	0.00E+0	-3.86E+0	0.00E+0	6.35E+1	0.00E+0	0.00E+0	0.00E+0	0.00E+0
Total renewable primary energy	kg CO2 eq	1.44E+2	4.75E+1	2.35E-1	-1.77E+0	6.05E+0	9.23E+1	2.78E-2	0.00E+0	1.85E-1	-1.69E+1
Non renewable primary energy excl. RM	kg CO2 eq	7.87E+2	1.23E+2	1.65E+1	6.14E+0	2.98E+1	5.05E+2	1.95E+0	0.00E+0	1.04E+2	-1.23E+2
Non renewable primary energy used as RM	kg CFC11 eq	-1.53E+2	4.20E+1	0.00E+0	9.32E+0	0.00E+0	-1.02E+2	0.00E+0	0.00E+0	-1.02E+2	0.00E+0
Total non renewable primary energy	mol H+ eq	6.34E+2	1.65E+2	1.65E+1	1.55E+1	2.98E+1	4.03E+2	1.95E+0	0.00E+0	2.10E+0	-1.23E+2
Use of secondary material	kg P eq	4.49E+0	1.45E+0	0.00E+0	4.36E-2	0.00E+0	2.99E+0	0.00E+0	0.00E+0	0.00E+0	0.00E+0
Use of renewable secondary fuels	kg PO4 eq	0.00E+0	0.00E+0	0.00E+0	0.00E+0	0.00E+0	0.00E+0	0.00E+0	0.00E+0	0.00E+0	0.00E+0
Use of non renewable secondary fuels	kg N eq	0.00E+0	0.00E+0	0.00E+0	0.00E+0	0.00E+0	0.00E+0	0.00E+0	0.00E+0	0.00E+0	0.00E+0
Recovered energy	mol N eq	0.00E+0	0.00E+0	0.00E+0	0.00E+0	0.00E+0	0.00E+0	0.00E+0	0.00E+0	0.00E+0	0.00E+0
Net use of fresh water	kg NMVOC eq	5.02E-1	1.27E-1	1.86E-3	2.03E-2	3.69E-2	3.10E-1	2.20E-4	0.00E+0	5.36E-3	-8.10E-2
Hazardous waste disposed	kg Sb eq	3.71E+0	3.84E-1	1.21E-2	1.01E-1	4.16E-2	2.45E+0	1.43E-3	0.00E+0	7.26E-1	-9.84E-2
Non hazardous waste disposed	MJ	2.10E+1	3.32E+0	9.52E-1	2.32E+0	5.91E-1	1.36E+1	1.13E-1	0.00E+0	1.09E-1	-1.27E+0
Radioactive waste disposed (High)	m3 depriv.	3.96E-4	1.07E-4	1.22E-6	7.45E-6	4.55E-5	2.33E-4	1.45E-7	0.00E+0	9.58E-7	-1.47E-4
Radioactive waste disposed (Inter-Low)	disease inc.	2.19E-3	4.91E-4	1.10E-4	5.32E-5	1.71E-4	1.35E-3	1.30E-5	0.00E+0	6.31E-6	-6.59E-4
Components for re-use	kBq U-235 eq	0.00E+0	0.00E+0	0.00E+0	0.00E+0	0.00E+0	0.00E+0	0.00E+0	0.00E+0	0.00E+0	0.00E+0
Materials for recycling	CTUe	9.11E-1	4.62E-2	0.00E+0	2.58E-1	0.00E+0	6.08E-1	0.00E+0	0.00E+0	0.00E+0	0.00E+0
Materials for energy recovery	CTUh	0.00E+0	0.00E+0	0.00E+0	0.00E+0	0.00E+0	0.00E+0	0.00E+0	0.00E+0	0.00E+0	0.00E+0
Exported energy	CTUh	1.09E+2	1.03E+0	0.00E+0	4.64E-1	0.00E+0	7.28E+1	0.00E+0	0.00E+0	3.49E+1	0.00E+0

5. Life Cycle Assessment – Carbon emissions and removals

Carbon Emissions and Removals over the ESL of 75 years

PARAMETER	A1	A2	A3	A4	A5	B1	B2	B4	C2	C4	TOTAL LIFE CYCLE (A1-C4)
BCRP [kg CO2]	0.3403	-	-	-	-	-	-	0.6807	-	-	1.0210
BCEP [kg CO2]	-	-	-	-	-	-	-	0.6807	-	0.3403	1.0210
BCRK [kg CO2]	-	-	0.1419	-	-	-	-	0.2837	-	-	0.4256
BCEK [kg CO2]	-	-	-	-	0.1419	-	-	0.2837	-	-	0.4256
BCEW [kg CO2]	-	-	-	-	-	-	-	-	-	-	-
CCE [kg CO2]	-	-	-	-	-	-	-	-	-	-	-
CCR [kg CO2]	-	-	-	-	-	-	-	-	-	-	-
CWNR [kg CO2]	-	-	-	-	-	-	-	-	-	-	-

BCRP: Biogenic Carbon Removal from Product / BCEP: Biogenic Carbon Emission from Product / BCRK: Biogenic Carbon Removal from Packaging / BCEK: Biogenic Carbon Emission from Packaging / BCEW: Biogenic Carbon Emission from Combustion of Waste from Renewable Sources Used in Production Processes / CCE: Calcination Carbon Emissions / CCR: Carbonation Carbon Removals / CWNR: Carbon Emissions from Combustion of Waste from Non-Renewable Sources used in Production Processes

6. LCA Interpretation

As the product must be replaced twice during its life cycle, the replacement stage is the most important because it covers all the stages of the life cycle twice. Maintenance stage has a great impact on several indicators, due mainly to the detergent and his chemicals which compose it. Production of raw material, especially PVC has an impact on the results.

7. Additional Environmental Information

7.1. Environment and Health During Manufacturing

Gerflor's factory conforms to :

- ISO 9001 Quality Management System,
- ISO 14001 Environmental Management System,
- ISO 50001 Energy Management System.

7.2. Environment and Health During Installation

The manufacturer's guidelines should be adhered to during the installation of this product.

7.3. Environment and Health During the use stage

The products are certified FloorScore. The measured concentration of total volatile organic compounds (TVOC) is less than/equal to 0.5 mg/m³ (in accordance with CDPH/EHLB Standard Method v1.2-2017).

The products are not exposed to soil and water during the use stage.

8. Further Information

Additional information can be found on www.gerflor.com.

9. References

ISO 14025

ISO 14025:2006: Environmental labels and declarations — Type III environmental declarations — Principles and procedures

EN 15804

EN 15804:2012-04+A2 2019: Sustainability of construction works — Environmental Product Declarations — Core rules for the product category of construction products

UL Environment

UL Environment General Program Instructions
March 2022 Version 2.7

Ecoinvent V3.8

Ecoinvent Life Cycle Inventory database Version 3.8

<http://www.ecoinvent.org>

UL Standard 10010. PCR Part A

PCR -Part A: Life Cycle Assessment Calculation Rules and Report Requirements. Version 4.0. UL Environment.
<https://industries.ul.com/environment>

UL 10010-7. PCR Part B

PCR - Part B: Flooring EPD Requirements. Second Edition. Dated September 28. 2018. UL Environment.

<https://www.ul.com/>